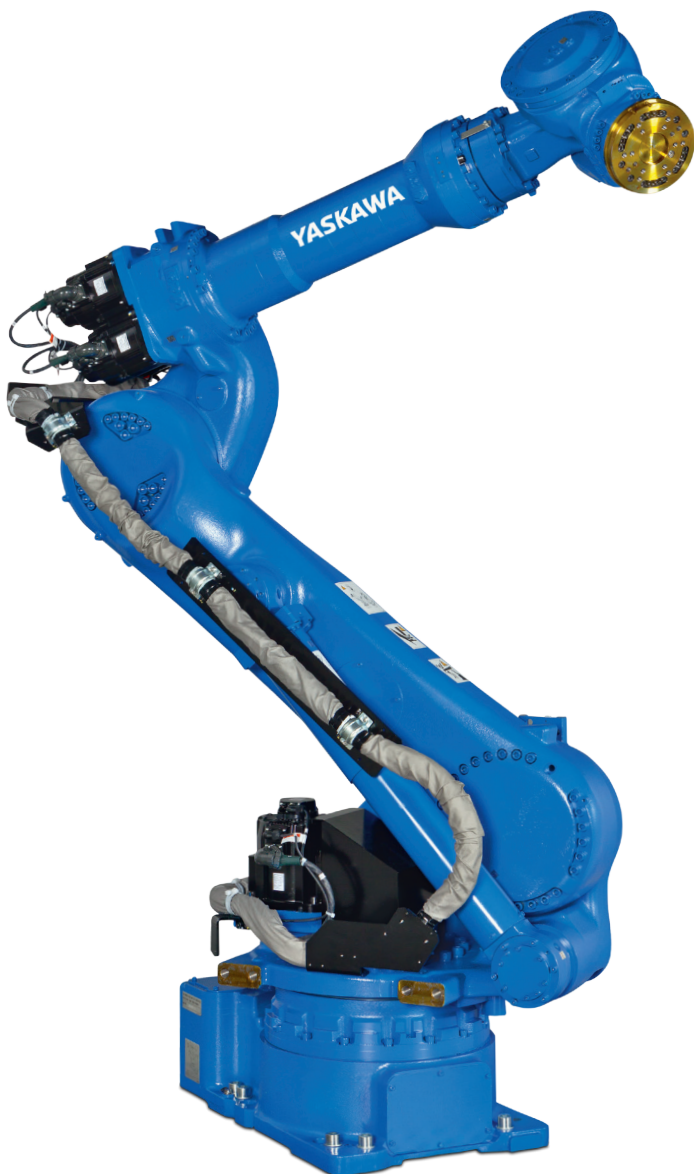


MOTOMAN MH225

Handling & General Applications
with the MH-series



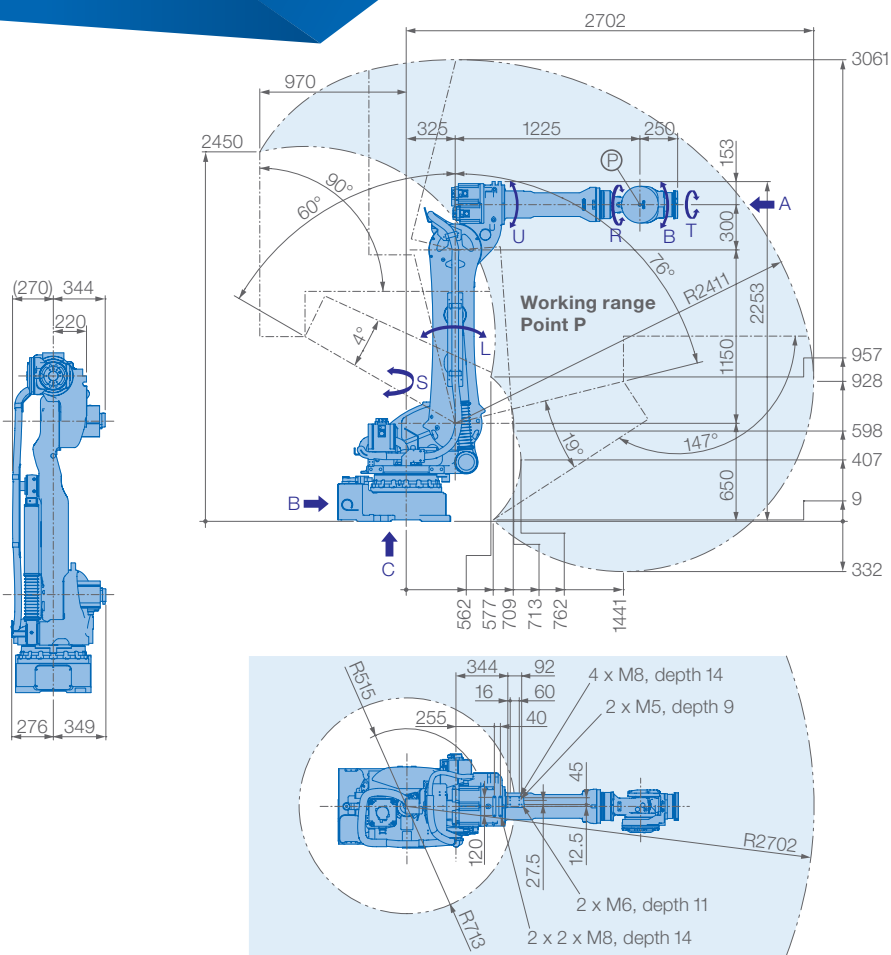
The 6-axis MOTOMAN MH180 is a versatile, high speed robot offering superior performance for a variety of applications, like material handling, machine and press tending.

Despite of providing a high payload of 225 kg and the wide motion range of 2702 mm, the MOTOMAN MH225 was designed with a width of 625 mm, therefore valuable floor space can be saved.

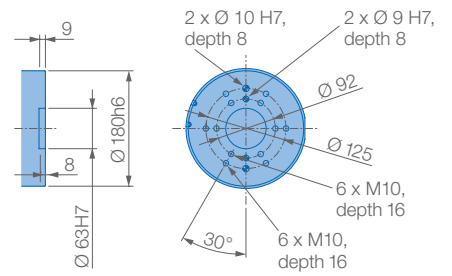
With the higher axis operation speed and speed reducer rigidity, a new vibration control system was developed. By reducing cycle times, this system realises high increases in productivity.

KEY BENEFITS

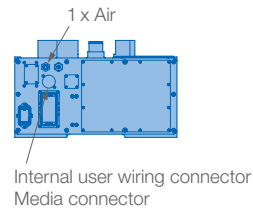
- Fast, flexible and powerful
- High payload: 225 kg
- Wide motion range: 2702 mm
- Maximum performance using minimal floor space



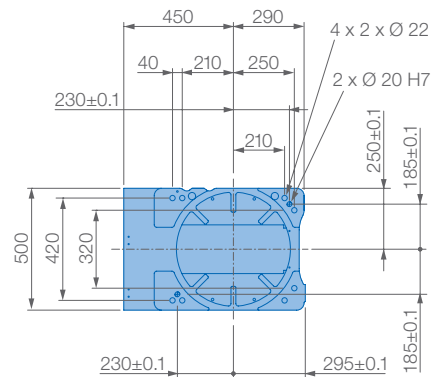
View A



View B

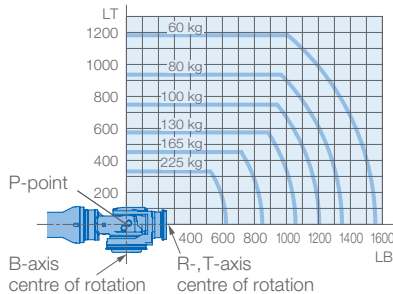


View C



Mounting option: Floor
Protection class: IP54/67

Allowable wrist load



Specifications MH225						
Axes	Maximum motion range [°]	Maximum speed [°/sec.]	Allowable moment [Nm]	Allowable moment of inertia [kg · m ²]	Controlled axes	6
S	±180	120	–	–	Max. payload [kg]	225
L	+76/–60	97	–	–	Repeatability [mm]	±0.2
U	+90/–147	115	–	–	Max. working range R [mm]	2702
R	±360	145	1372	145	Temperature [°C]	0 to +45
B	±125	145	1372	145	Humidity [%]	20 – 80
T	±360	220	735	84	Weight [kg]	1000
					Power supply, average [KVA]	5.0